



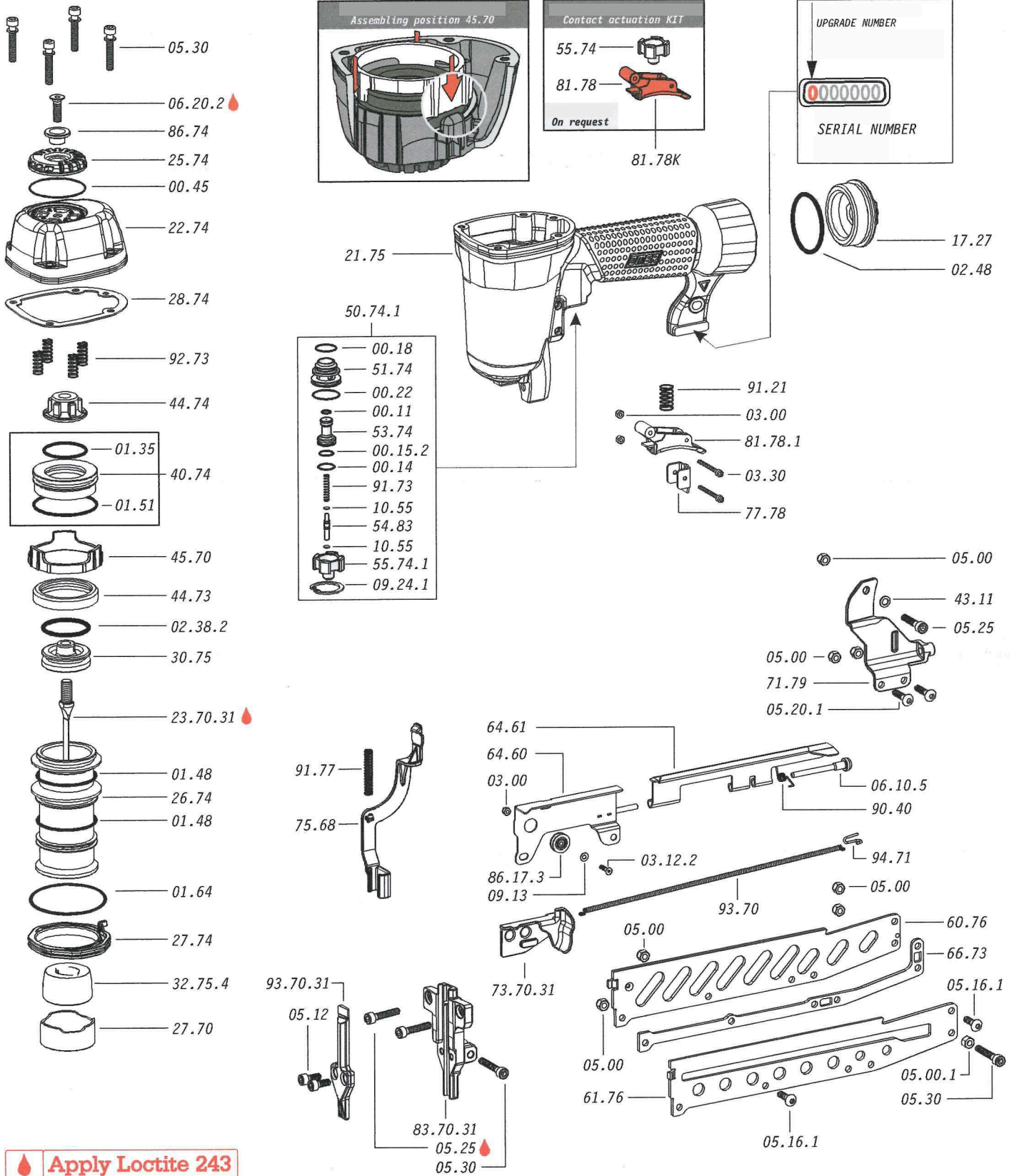
TN.732

USE, MAINTENANCE & SPARE PARTS MANUAL

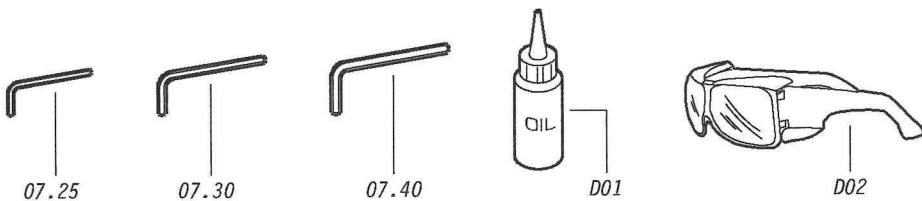


TECHNICAL DATA		Cod. 1741900
Usable lengths mm	18 ÷ 32	Type of Fastener
Magazine capacity	80	
Operating pressure	5 ÷ 7.5 bar 70 ÷ 105 psi	
Air consumption litres/stroke	0.75	
Weight kg	1.95	
Dimensions mm	295 x 94 x 257 (LxWxH)	
Sound pressure in operators position	87 dB(A)	
Emitted sound power	95 dB(A)	
Vibratory emissions on handle	2.93 m/s ²	

SPARE PARTS



EQUIPMENT



TN.732

SPARE PARTS

Cod.	Description
00.11	O-Ring
00.14	O-Ring
00.15.2	O-Ring
00.18	O-Ring
00.22	O-Ring
00.45	O-Ring
01.35	O-Ring
01.48	O-Ring
01.51	O-Ring
01.64	O-Ring
02.38.2	O-Ring
02.48	O-Ring
03.00	Nut
03.12.2	Screw
03.30	Screw
05.00	Nut
05.00.1	Nut
05.12	Screw
05.16.1	Screw
05.20.1	Screw
05.25	Screw
05.30	Screw
06.10.5	Screw
06.20.2	Screw
07.25	Hex. bar wrench
07.30	Hex. bar wrench
07.40	Hex. bar wrench
09.13	Elastic ring
09.24.1	Elastic ring
10.55	O-Ring
17.27	Inlet cap
21.75	Body
22.74	Head
25.74	Exhaust deflector
26.74	Cylinder
27.70	Ring
27.74	Cylinder ring
28.74	Head gasket
30.75	Piston
32.75.4	Bumper
40.74	Valve assembled
43.11	Washer
44.73	Cylinder gasket
44.74	Upper bumper
45.70	Spacer
50.74.1	Trigger valve assy
51.74	Servo valve bushing
53.74	Servo valve piston
54.83	Trigger valve
55.74	Trigger valve bush
55.74.1	Trigger valve bush
60.76	Left Guide
61.76	Right Guide
64.60	Guard
64.61	Guard
66.73	Spacer
71.79	Support
75.68	Safety
77.78	Safety guide
81.78	CT trigger
81.78K	CT Trigger KIT
81.78.1	SQ trigger
86.74	Bushing
90.40	Spring
91.21	Spring
91.73	Spring
92.73	Spring
93.70	Spring
94.71	Spring
23.70.31	Driver
73.70.31	Pusher
83.70.31	Nose
93.70.31	Nose plate
D01	Oiler
D02	Protective goggles

O-RINGS

